


Industry Standards

UL 508, Types 3, 4, 4X & 12

CSA Certified, Type 3, 4, & 12

NEMA/EEMAC Types 3, 4, 4X & 12



UL File E64791



CSA File LL66078

FEATURES-SPECIFICATIONS
Applications

Designed to house electrical and electronic controls, terminals, and instruments in areas that are regularly hosed down or are otherwise very wet. Also suitable for outdoor applications.

Construction

- Bodies and doors fabricated from 12 gauge 304 and 316 stainless steel
- Continuously welded seams ground smooth, less knockouts or holes
- “Uni-strut” mounting channels are welded horizontally to interior body sides, top, bottom and center
- **Optional** swing, half, full and rack panels can be mounted anywhere along “uni-strut” channel
- Rolled lip around three sides of door and along top of enclosures opening excludes liquids and contaminants from entering
- Quick and easy to operate stainless steel door clamps around three sides of doors
- Heavy gauge continuous hinge with stainless steel hinge pin
- Doors are removable by pulling stainless steel continuous hinge pin
- Hasp and staple are provided for padlocking
- Print pocket is provided
- Heavy duty removable lifting eyes
- Doors are sealed with closed cell neoprene gasket
- Grounding provisions provided

Finish

- Standard grain finish
- **Optional** back panels are white polyester powder over phosphatized surfaces

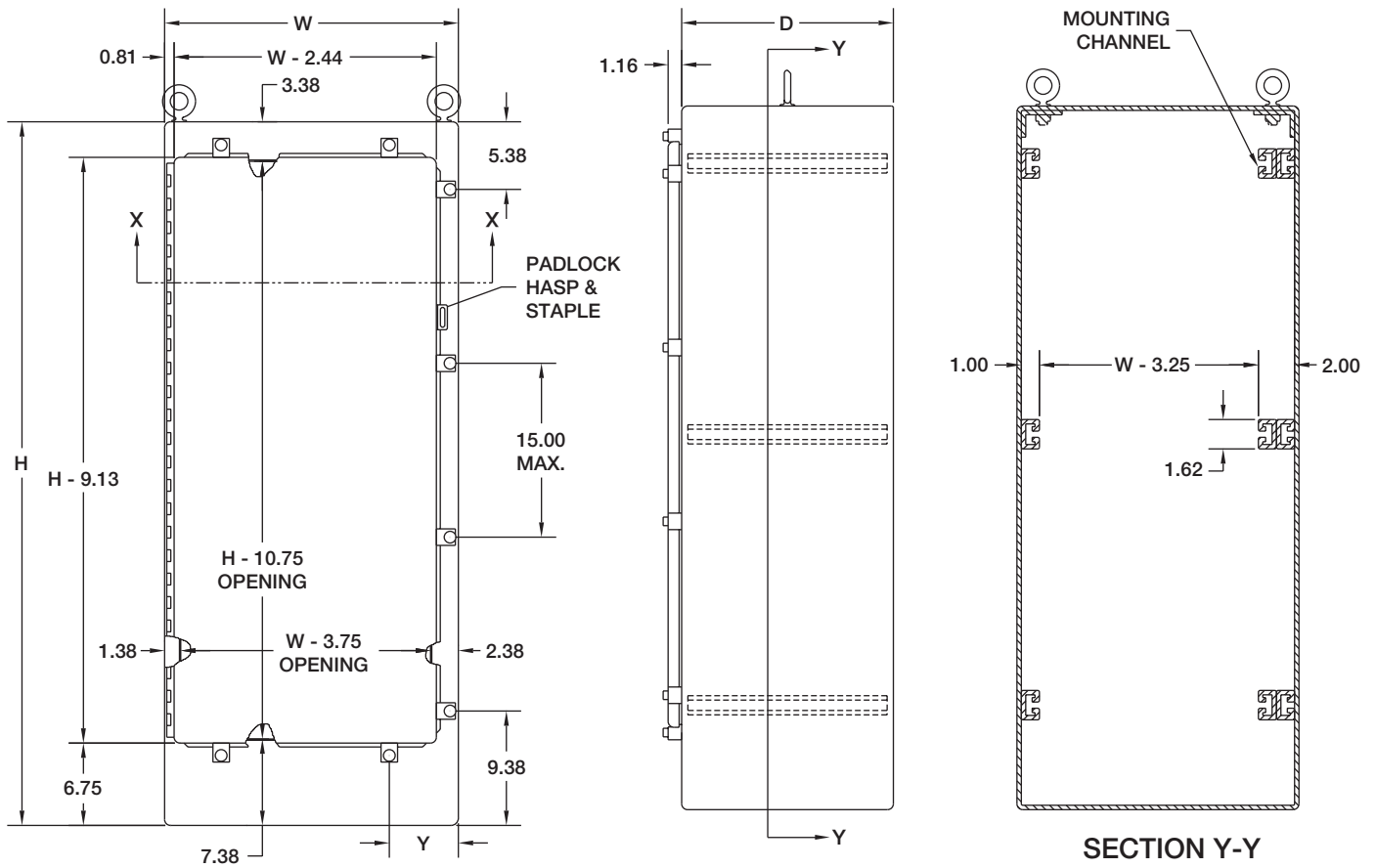
Accessories

- Back panels (reference tables)
- See pages J1-J19

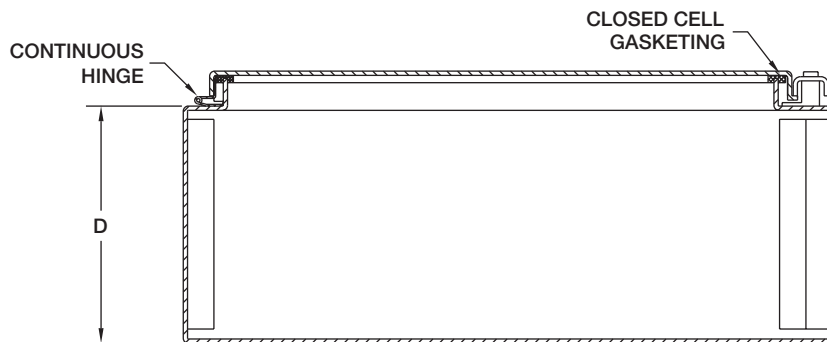
N4S-FSSS SERIES SINGLE DOOR ENCLOSURES					
CATALOG NUMBER		BODY/DOOR STEEL GAUGE	ENCLOSURE SIZE H X W X D	Y	BACK PANELS*
304 S.S.	316 S.S.				
N4S722518FSSS	N4S722518FSSSA	12/12	72.12x25.12x18.12 (1832x638x460)	6.38 (162)	See pages C29-C31 and J6-J12 for various panel styles
N4S723124FSSS	N4S723124FSSSA	12/12	72.12x31.12x24.12 (1832x790x613)	8.38 (213)	
N4S723724FSSS	N4S723724FSSSA	12/12	72.12x37.12x24.12 (1832x943x613)	10.38 (264)	

*Back panels must be ordered separately.





SECTION Y-Y



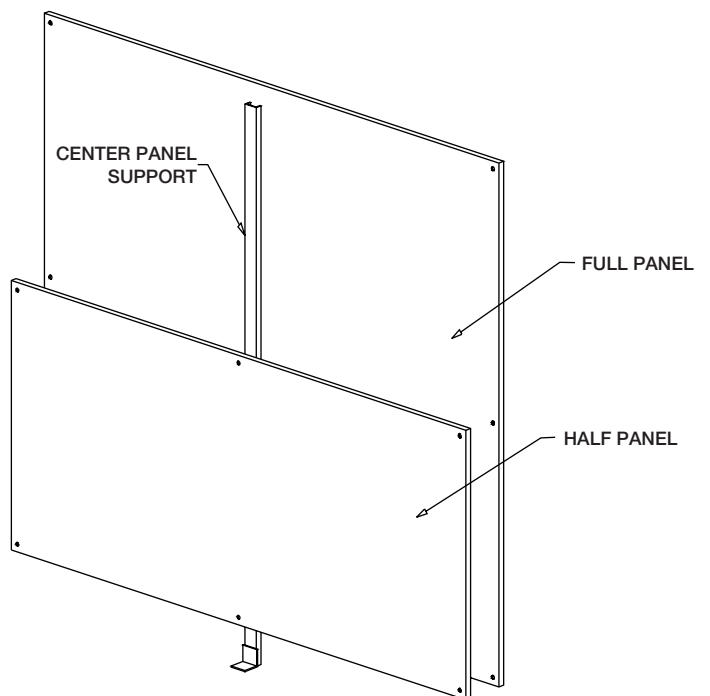
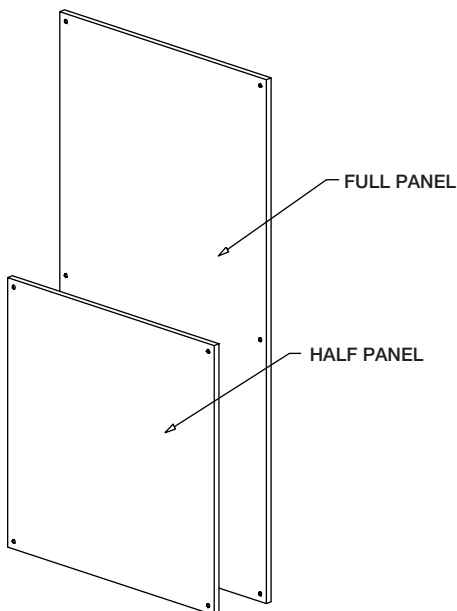
SECTION X-X
NOT TO SCALE

REGULAR PANELS ONLY (FULL & HALF) NEMA 12 SINGLE DOOR		
CATALOG NUMBER	STEEL GAUGE	PANEL SIZE A X B
WA60P24F1	12	48.00x20.00 (1219x508)
WA60P24F2	12	24.88x20.00 (632x508)
WA72P24F1	12	60.00x20.00 (1524x508)
WA72P24F2	12	30.88x20.00 (784x508)
WA90P24F1	12	78.00x20.00 (1981x508)
WA90P24F2	12	39.88x20.00 (1013x508)
WA72P30F1	12	60.00x26.00 (1524x660)
WA72P30F2	12	30.88x26.00 (784x660)
WA60P36F1	12	48.00x32.00 (1219x813)
WA60P36F2	12	24.88x32.00 (632x813)
WA72P36F1	12	60.00x32.00 (1524x813)
WA72P36F2	12	30.88x32.00 (784x813)
WA90P36F1	12	78.00x32.00 (1981x813)
WA90P36F2	12	39.88x32.00 (1013x813)

REGULAR PANELS ONLY (FULL & HALF) NEMA 12 TWO DOOR		
CATALOG NUMBER	STEEL GAUGE	PANEL SIZE A X B
WA60P48F1	10	48.00x44.00 (1219x1118)
WA60P48F2	10	24.88x44.00 (632x1118)
WA72P48F1	10	60.00x44.00 (1524x1118)
WA72P48F2	10	30.88x44.00 (784x1118)
WA72P60F1	10	60.00x56.00 (1524x1422)
WA72P60F2	10	30.88x56.00 (784x1422)
WA72P72F1	10	60.00x68.00 (1524x1727)
WA72P72F2	10	30.88x68.00 (784x1727)
WA90P48F1	10	78.00x44.00 (1981x1118)
WA90P48F2	10	39.88x44.00 (1013x1118)
WA90P72F1	10	78.00x68.00 (1981x1727)
WA90P72F2	10	39.88x68.00 (1013x1727)

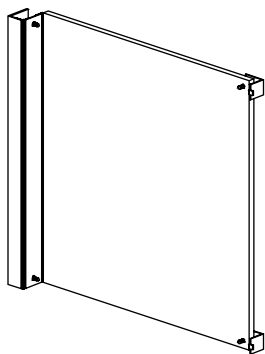
NOTE: If used in a Two Door Enclosure, a center panel support must be ordered.

NOTE: Center Panel support is supplied with a regular Two Door Enclosure Panel. This support is used only as a brace. It is not intended to be used as a support for Single Door Panels, relay racks, etc.



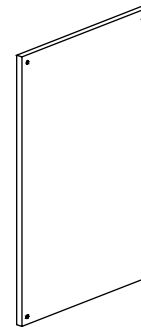
SWING OUT PANELS ONLY (FULL & HALF) NEMA 12 SINGLE DOOR		
CATALOG NUMBER	STEEL GAUGE	PANEL SIZE A X B
WA60SP24F3	12	48.00x19.00 (1219x483)
WA60SP24F4	12	24.88x19.00 (632x483)
WA72SP24F3	12	60.00x19.00 (1524x483)
WA72SP24F4	12	30.88x19.00 (784x483)
WA72SP30F3	12	60.00x25.00 (1524x635)
WA72SP30F4	12	30.88x25.00 (784x635)
WA60SP36F3	12	48.00x31.00 (1219x787)
WA60SP36F4	12	24.88x31.00 (632x787)
WA72SP36F3	12	60.00x31.00 (1524x787)
WA72SP36F4	12	30.88x31.00 (784x787)
WA90SP36F3	12	78.00x31.00 (1981x787)
WA90SP36F4	12	39.88x31.00 (1013x787)

NOTE: If used in a Two Door Enclosure, a center panel support must be ordered.



WA60SP24F3

SIDE MOUNT PANELS FOR SINGLE OR DOUBLE DOORS		
CATALOG NUMBER	STEEL GAUGE	PANEL SIZE A X B
WA60SMP14	12	48.00x14.00 (1219x356)
WA72SMP14	12	60.00x14.00 (1524x356)
WA72SMP20	12	60.00x20.00 (1524x508)
WA90SMP14	12	78.00x14.00 (1981x356)
WA90SMP20	12	78.00x20.00 (1981x508)



WA60SMP14

CENTER PANEL SUPPORTS	
CATALOG NUMBER	DESCRIPTION
WA60FSCPS	Center panel support for 60" high enclosures
WA72FSCPS	Center panel support for 72" high enclosures
WA90FSCPS	Center panel support for 90" high enclosures

CLAMP NUTS	
CATALOG NUMBER	DESCRIPTION
WAPS1420CN	Clamp nut for unistrut
WAPS3816CN	Clamp nut for unistrut
WA1032N	Clamp nuts for Type (RA) Relay Rack Angles

RELAY RACK ANGLES (FULL OR HALF) SINGLE DOOR		
CATALOG NUMBER	STEEL GAUGE	LENGTH "L"
WA60RP24F5	10	49.00 (1245)
WA60RP24F6	10	26.25 (667)
WA72RP24F5	10	61.25 (1556)
WA72RP24F6	10	31.50 (800)
WA72RP30F5	10	61.25 (1556)
WA72RP30F6	10	31.50 (800)
WA90RP24F5	10	78.75 (2000)
WA90RP24F6	10	40.25 (1022)

SWING OUT RACK MOUNTING FRAMES			
CATALOG NUMBER	FITS ENCLOSURE H X W	RACK SIZE	ANGLE LENGTH "T"
WA7230SOF19	72.00x30.00 (1829x762)	19.00 (483)	57.88 (1470)
WA7236SOF19	72.00x36.00 (1829x914)	19.00 (483)	57.88 (1470)
WA9036SOF19	90.00x36.00 (2286x914)	19.00 (483)	75.38 (1915)

NOTE: If used in a Two Door Enclosure, a center panel support must be ordered.

RELAY RACK ANGLES WITH THRU HOLES (TYPE RA)			
CATALOG NUMBER	FITS ENCLOSURE H X W	RACK SIZE	ANGLE LENGTH "L"
WA60RA19TH	60.00x24.00 (1524x610)	19.00 (483)	49.00 (1245)
WA72RA19TH	72.00x24.00 (1829x610)	19.00 (483)	61.25 (1556)
WA72RA24TH	72.00x30.00 (1829x762)	24.00 (610)	61.25 (1556)
WA90RA19TH	90.00x24.00 (2286x610)	19.00 (483)	78.78 (2001)

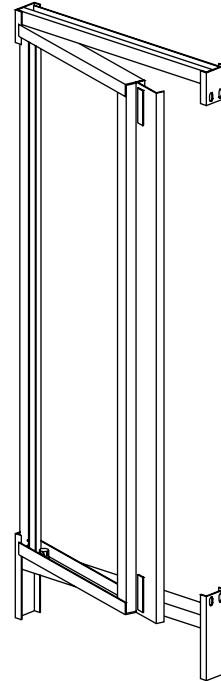
NOTE: If used in a Two Door Enclosure, a center panel support must be ordered.



WA60RP24F5



WA60RA19TH



WA7230SOF19



Mounting Feet



WAGSE



WAVE

FEATURES-SPECIFICATIONS

MOUNTING FEET

- Mounting foot kit N412MFK contains four steel external mounting feet
- Mounting foot kit N412MFKSS contains four stainless steel external mounting feet
- Sealing washers are provided with each kit to maintain NEMA 4 or 12 rating after installation
- The N412MFK has a plated finish

MOUNTING FEET	
CATALOG NUMBER	DESCRIPTION
N412MFK	For N412 steel enclosures
N412MFKSS	For N412 stainless steel enclosures

TOUCH-UP PAINT

- Wiegmann touch-up paint is used to repair existing finishes on enclosures and panels
- Furnished in 12 oz. spray cans

TOUCH-UP PAINT	
CATALOG NUMBER	DESCRIPTION
WAGSE	ANSI 61 gray satin enamel
WAVE	White enamel



WAEK115

WAEK115NDH

WADKDF

WGNDKT

FEATURES-SPECIFICATIONS

ELECTRICAL INTERLOCKS

The WAEK115 is designed to be used with standard Wiegmann door latching mechanisms. When turned on, this interlock will prevent the door handle from being turned to open the door. This interlock is designed to fit handles in the following enclosures:

- All two door NEMA 12 enclosures
- Free standing NEMA 12 enclosures
- All consoles
- All single door NEMA 12 enclosures which have 3 pt handle mechanisms
- Two door NEMA 12 enclosures for flange-mounted disconnects
- Modular NEMA 12 enclosures
- Multi-door NEMA 12 enclosures

The WAEK115NDH is designed to be used with standard Wiegmann enclosures that have no handles. This interlock requires drilling several holes in the cover and the body for mounting.

INTERLOCK DEFEATER

- This defeater is key operated and enables personnel to enter an enclosure while the enclosures internal components are energized. Turning the key disengages the circuit to the electrical interlock

INTERLOCK DEFEATER	
CATALOG NUMBER	DESCRIPTION
WAEKDF	Defeater

GROUNDING KIT

- Field Grounding Kit
- Includes necessary parts to properly ground enclosure

GROUNDING KIT	
CATALOG NUMBER	DESCRIPTION
WGNDKT	Grounding Kit

ELECTRICAL INTERLOCKS		
CATALOG NUMBER	DESCRIPTION	VOLTS/HZ
WAEK115	Electrical interlock	120/60
WAEK115NDH	Electrical interlock	120/60



WA0808JTMA

FEATURES-SPECIFICATIONS

TERMINAL KIT ASSEMBLIES, BLOCKS AND STRIPS FOR ALL SMALL JIC NEMA 12 AND JIC-NEMA 4 BOXES

- Provides a strong, versatile means for mounting terminal blocks in Wiegmann JIC boxes and other enclosures
- Easily installed bracket assembly accommodates the desired number of terminal straps or block strips
- Bracket assembly consists of two white enamel brackets which mount on weldnuts
- Terminal block strip (ordered separately) is Buchanan Type MD for wire sizes No.22 through 10, mounted on a single terminal strap. Block strips attach where desired by spring locking

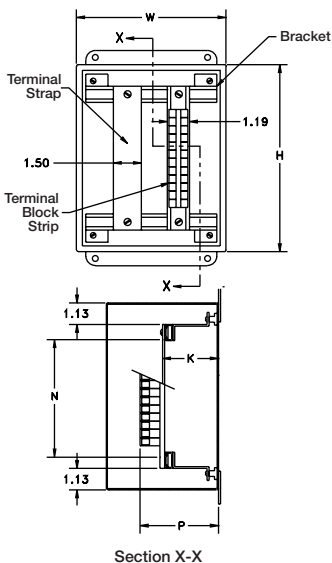
nuts. Order brackets, terminal straps and block strips by part number shown below

How To Order

- Each enclosure requires one bracket assembly plus the desired number of terminal straps. The bracket assembly and the terminal straps must be ordered separately
- To select the correct terminal strap, determine whether the terminal straps

will be mounted parallel to the height or width dimension. Specify the number of straps desired, checking usable space for enclosure ordered

- To select the correct bracket assembly, determine whether the bracket will be mounted parallel to height or width dimension of enclosure. Refer to chart and specify correct bracket by catalog number. One bracket is needed for each row of collar studs parallel to the brackets



Terminal Kit Assembly for Small JIC Enclosures (Series B & BN4)

BRACKET ASSEMBLIES FOR SMALL JIC NEMA 12 AND JIC NEMA 4 ENCLOSURES				
CATALOG NUMBER	DIMENSION PARALLEL TO BRACKETS	K	P	N
WA0806JTMA	6.00 (152)	1.56 (40)	2.75 (70)	2.63 (67)
WA0808JTMA	8.00 (203)	1.56 (40)	2.75 (70)	4.63 (118)
WA1010JTMA	10.00 (254)	2.81 (71)	4.00 (102)	6.53 (166)
WA1212JTMA	12.00 (305)	2.81 (71)	4.00 (102)	8.53 (217)
WA1614JTMA	14.00 (356)	2.81 (71)	4.00 (102)	10.53 (267)

TERMINAL BLOCK STRIP & STRAP			
CATALOG NUMBER	DIMENSION PARALLEL TO STRIP	TERMINAL BLOCKS PER STRIP #	USABLE SPACE N
WA08JB	8.00 (203)	8	4.63 (118)
WA10JB	10.00 (254)	12	6.53 (166)
WA12JB	12.00 (305)	16	8.53 (217)
WA14JB	14.00 (356)	20	10.53 (267)
WA16JB	16.00 (406)	24	12.53 (318)

TERMINAL STRAPS		
CATALOG NUMBER	ENCLOSURE DIMENSION PARALLEL TO STRAP	USABLE SPACE N
WA0806JS	8.00 (203)	4.63 (118)
WA0808JS	8.00 (203)	4.63 (118)
WA1008JS	10.00 (254)	6.63 (168)
WA1010JS	10.00 (254)	6.63 (168)
WA1210JS	12.00 (305)	8.63 (219)
WA1212JS	12.00 (305)	8.63 (219)
WA1412JS	14.00 (356)	10.63 (270)
WA1614JS	16.00 (406)	12.63 (321)

NOTE: Terminal blocks are not included. Be sure to order one bracket assembly plus the desired number of terminal straps for each enclosure.





WA16NTMA2

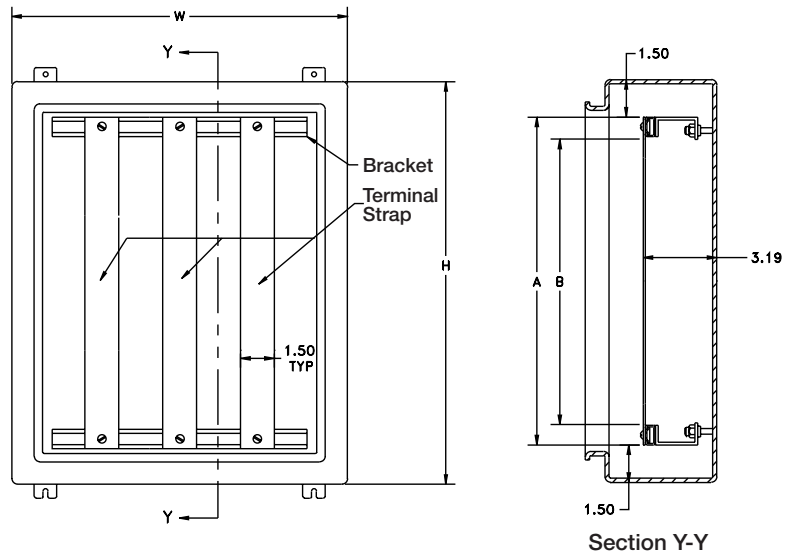
FEATURES-SPECIFICATIONS

TERMINAL KIT ASSEMBLIES AND STRAPS FOR NEMA TYPE 4, 12 AND 13 ENCLOSURES

- Provide strong, versatile and easily-installed terminal block mounting supports
- For use on extra large NEMA Type 1, 4 or 12 and large JIC enclosures
- Each bracket assembly consists of two or three brackets which mount on enclosure collar studs
- Mounting straps can be positioned anywhere along the brackets and are held in place by spring locking nuts, making wiring easy and providing for the addition of more straps at a later date
- Standard finish in white polyester powder
- Brackets may be installed parallel to height or width dimension. Each enclosure requires one bracket assembly and the desired number of terminal straps

BRACKET ASSEMBLIES FOR NEMA 4, 12, AND 13 ENCLOSURES – BRACKET ASSEMBLY			
CATALOG NUMBER	NUMBER OF BRACKETS	BRACKET LENGTH	FOR ENCLOSURE WIDTH
WA12NTMA2	2	9.00 (229)	12.00 (305)
WA16NTMA2	2	13.00 (330)	16.00 (406)
WA20NTMA2	2	17.00 (432)	20.00 (508)
WA24NTMA2	2	21.00 (533)	24.00 (610)
WA24NTMA3	3	21.00 (533)	24.00 (610)

TERMINAL STRAPS				
CATALOG NUMBER	NUMBER OF STRAPS	A	B	FOR ENCLOSURE WIDTH
WA12T	1	9.00 (229)	7.75 (197)	12.00 (305)
WA16T	1	13.00 (330)	11.75 (298)	16.00 (406)
WA20T	1	17.00 (432)	15.38 (391)	20.00 (508)
WA24T	1	21.00 (533)	19.75 (502)	24.00 (610)
WA30T	1	27.00 (686)	25.75 (654)	30.00 (762)
WA36T	1	33.00 (838)	31.75 (806)	36.00 (914)
WA42T	1	39.00 (991)	37.75 (959)	42.00 (1067)
WA48T	1	45.00 (1143)	43.75 (1111)	48.00 (1219)





FK0608



SSFK1216

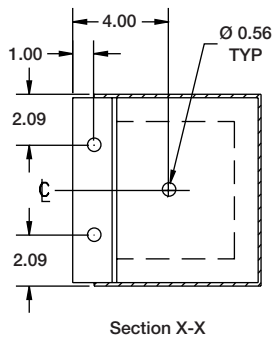
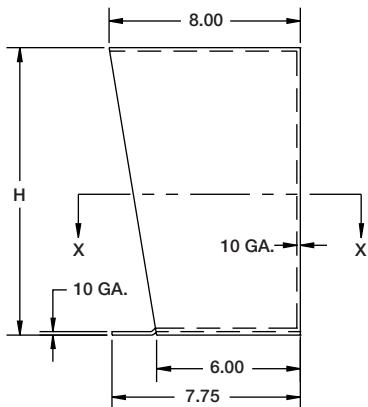
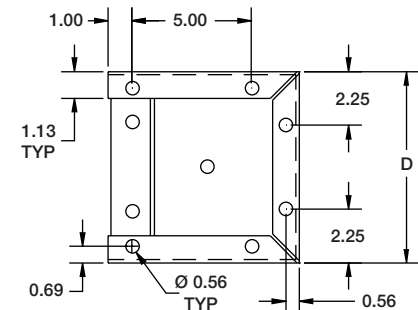
FEATURES-SPECIFICATIONS

FLOOR STAND KIT

- Kits are easily installed on most wall-mounted Wiegmann enclosures. Kits can also be used to elevate Wiegmann freestanding enclosures. To install, drill holes in bottom of existing enclosure and bolt in place. Each kit includes two stands and mounting bolts and nuts
- Steel floor stand has a ANSI 61 gray polyester powder finish over phosphatized surfaces
- Stainless steel floor stand is type 304 stainless with a grained finish

FLOOR STAND KIT			
CATALOG NUMBER		FLOOR STAND HEIGHT "H"	ENCLOSURE SIZE "D"
STEEL	STAINLESS STEEL		
FK0608	SSFK0608 ◀	6.00 (152)	8.00 (203)
FK0610	SSFK0610	6.00 (152)	10.00 (254)
FK0612	SSFK0612 ◀	6.00 (152)	12.00 (305)
FK0618	SSFK0618 ◀	6.00 (152)	18.00 (457)
FK0624 ◀	SSFK0624 ◀	6.00 (152)	24.00 (610)
FK1208	SSFK1208	12.00 (305)	8.00 (203)
FK1210	SSFK1210	12.00 (305)	10.00 (254)
FK1212	SSFK1212	12.00 (305)	12.00 (305)
FK1216	SSFK1216	12.00 (305)	16.00 (406)
FK1218	SSFK1218 ◀	12.00 (305)	18.00 (457)
FK1220	SSFK1220 ◀	12.00 (305)	20.00 (508)
FK1224 ◀	SSFK1224 ◀	12.00 (305)	24.00 (610)
FK1808	—	18.00 (457)	8.00 (203)
FK1810	—	18.00 (457)	10.00 (254)
FK1812	—	18.00 (457)	12.00 (305)
FK1816	—	18.00 (457)	16.00 (406)
FK2408	—	24.00 (610)	8.00 (203)
FK2410	SSFK2410	24.00 (610)	10.00 (254)
FK2412	SSFK2412	24.00 (610)	12.00 (305)

◀ NEW PRODUCT IN 2003





Casters



Panel Supports



Stabilizers

FEATURES-SPECIFICATIONS

CASTERS

- Casters can be used on any enclosure to provide mobility
- Caster kit includes two swivel casters and two stationary casters along with all necessary mounting hardware

CASTERS	
CATALOG NUMBER	DESCRIPTION
WC10C	Set of 4 casters, 2 mounting plates and hardware
WC12C	Set of 4 casters, 2 mounting plates and hardware

PANEL SUPPORTS

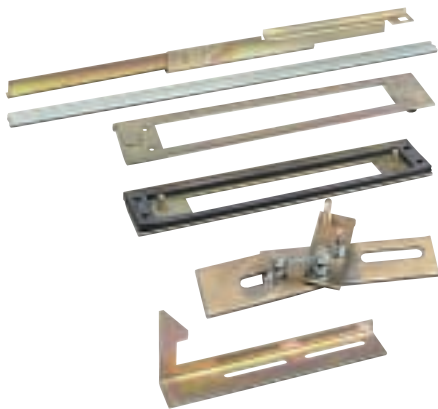
- Provide additional support for panels on which heavy instruments are mounted
- The panel supports are adjustable so the weight of the panel is partially supported by the bottom of the enclosure
- White polyester powder finish

PANEL SUPPORTS	
CATALOG NUMBER	DESCRIPTION
WAPS03	Two panel supports for 1-door and 2-door enclosures where distance from bottom of panel to bottom of enclosure is less than 2-1/4 inches
WAPS09	Two panel supports for free-standing or multi-door enclosures where distance from bottom of panel to bottom of enclosure is between 2-7/8 inches and 8-1/2 inches

STABILIZERS

- Designed to prevent injury to workers by stabilizing floor mounted enclosures which are not bolted down against tipping. Stabilizers slip under the floor stands and are secured by tightening bolts in washers
- ANSI 61 gray polyester finish

STABILIZERS	
CATALOG NUMBER	DESCRIPTION
WAENST	Two stabilizers



WA21ABA



WA22BAP



WARAK24

FEATURES-SPECIFICATIONS

OPERATOR ADAPTER PLATES

- Used on all Wiegmann disconnect enclosures with universal flange cutouts
- An operator adapter plate is required to install a disconnect in all Wiegmann enclosures with a universal cutout on pages F31, F35, F36, F37, F38, F39, F43, F44
- Operator adapters include an adapter plate and additional parts used to interlock the master door with the disconnect operating mechanism. Panel drilling and installation instructions are furnished with each adapter
- Each brand and type of disconnect requires a different operator adapter. It is important to select the proper operator adapter and enclosure for the disconnect that you have selected

OPERATOR ADAPTER PLATES	
CATALOG NUMBER	TYPE OF OPERATOR ADAPTER
WA21ABA	Allen-Bradley 1494F and 1494D
WA21ABVA	Allen-Bradley 1494V
WA21CHVA	Cutler-Hammer C361, C371 and C371 Flex Shaft™
WA21CHVA	ABB Controls
WA21GETDA	General Electric STDA
WA21ITE	I-T-E Max-Flex™
WA21SDA	Square D Class 9422, (variable depth and cable mechanism)
WA21WHA	Cutler Hammer/Westinghouse SM

BLANK ADAPTER PLATES

- Used to cover flange cutouts in disconnect enclosures when disconnects are not installed. This greatly increases the versatility of the disconnect enclosures enabling them to also be used as regular Type 12 enclosures
- Wiegmann blank adapter plates are made from heavy gauge steel, with oil-resistant gasket to maintain the dust-tight and oil-tight qualities of the enclosure
- All blank adapter plates are painted ANSI 61 gray polyester powder
- All necessary mounting hardware and instructions are included

BLANK ADAPTER PLATES	
CATALOG NUMBER	TYPE OF OPERATOR ADAPTER
WA21BAP	Blank adapter for universal cutouts on pages F31, F35, F36, F37, F38, F39, F43, F44
WA22BAP	Blank adapter for enclosures on page F17
WA3456BAP	Blank adapter for single door wall-mount enclosures on pages F3, F7, F21

RELAY RACK ANGLE KIT (FOR WALL MOUNTS)

- For NEMA 12, NEMA 4 and NEMA 412 wall mount enclosures. Designed for mounting 19 inch rack mounted equipment in 24 inch wide enclosures. Small holes are pre-tapped at 10-32
- To install, drill holes in side of enclosure and bolt angles in place
- Sealing washers are also provided to maintain original NEMA rating after installation
- Finish is white

RELAY RACK ANGLE KIT		
CATALOG NUMBER	ANGLE LENGTH "L"	DESCRIPTION
WARAK24	23.63 (600)	Two Angles
WARAK30	29.63 (753)	Two Angles
WARAK36	35.63 (905)	Two Angles

